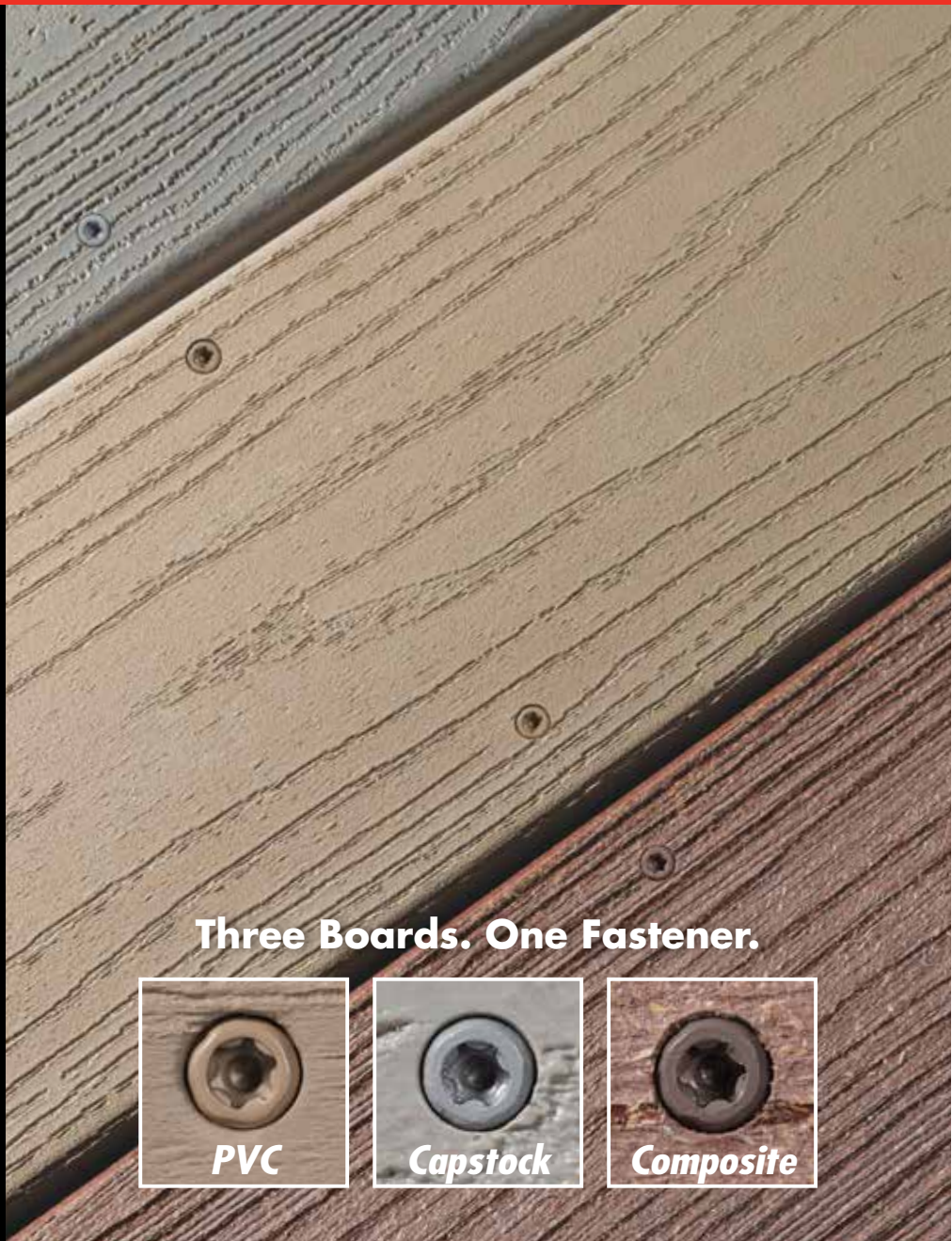


# TrapEase® 3 Ultimate Composite Deck Screw

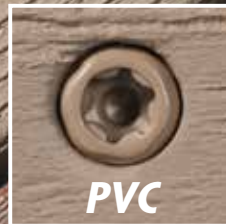
## Three Boards. One Fastener.

TrapEase 3 is the only fastener guaranteed to create a clean finished look without predrilling in all three types of synthetic decking: composite, PVC, and capstock

- **No fastener strip-out**
- **No rusting**
- **No fading**
- **Guaranteed for the life of the project**
- **Featuring the new #20 TORX® ttap® Drive System\***  
Stick-fit wobble free installation  
*\*Standard Torx® bit also drives screw*
- **Spotter Installation Guide**  
Reduces installation time by consistently placing the fasteners and gapping the deck boards.



## Three Boards. One Fastener.



**FastenMaster.**

# TrapEase® 3

Ultimate Composite Deck Screw

# TrapEase<sup>®</sup> 3

Ultimate Composite Deck Screw

## INSTALLATION PROCEDURE

1. Use a 0-1800 RPM variable speed corded drill, 18V cordless drill, or impact drill.
2. Must install two screws per joist.
3. Refer to decking manufacturer's installation instructions before installing FastenMaster TrapEase 3.
4. TrapEase 3 is not for use where de-icing salts will be used, roof decks, or with solid wood decking such as mahogany or into metal framing.
5. Not for use within 1,000 feet of saltwater. Use stainless steel TrimTop<sup>®</sup> fastener for these applications.

### Installation using Spotter Guide

#### Deck Surface 90° to joist

1. Position legs of guide to straddle joist
2. Push guide flat to decking surface
3. Drive TrapEase 3 screws through hole marked 90°

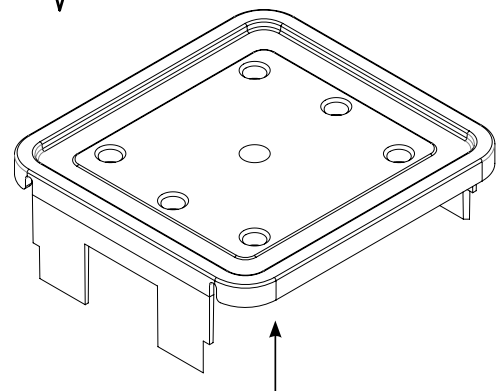
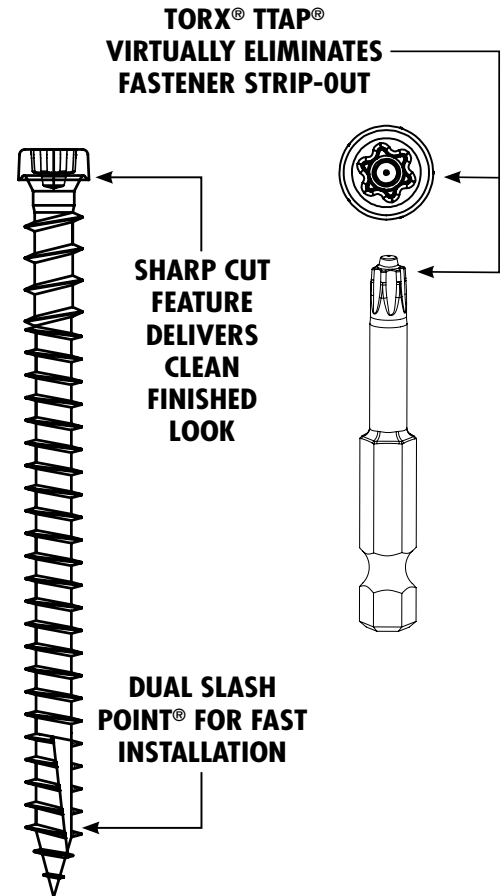
#### Deck Surface 45° to joist

1. Position notch on guide legs to sides of joists
2. Push guide flat to decking surface
3. Drive TrapEase 3 screws through hole marked 45°

Note: Spotter Guide legs act as a 3/16" deck board spacer.

Complete installation instructions included in every box.  
Installation video available at [FastenMaster.com](http://FastenMaster.com)

## PRODUCT FEATURES



**\*SPOTTER LID DELIVERS CONSISTENT GAPPING AND FASTENER PLACEMENT**  
\*SPOTTER LID IS ONLY AVAILABLE WITH THE 350 PC BUCKET

Item #	Screw Length	Quantity	Coverage*
FMTR3-212-75****	2 1/2"	75 pc box	20 sq ft
FMTR3-212-350****	2 1/2"	350 pc bucket	100 sq ft
FMTR3-212-1050****	2 1/2"	1,050 pc bucket	300 sq ft
FMTTAP20BIT-2PK	#20 TORX <sup>®</sup> ttap <sup>®</sup> Bits	2 pc carded bit	N/A

\*Coverage based on 16" o.c. joist spacing

### \*\*\*\*Selecting SKU/Board Color, combine SKU column with color key below

<b>Trex Transcend</b>		
(TSGP) Gravel Path	(TSFP) Fire Pit	(TSLR) Lava Rock
(TSRS) Rope Swing	(TSSR) Spiced Rum	(TSTT) Tiki Torch
(TSTH) Tree House	(TSVL) Vintage Lantern	(TSLM) Island Mist
(TSHG) Havana Gold		
<b>Trex Select</b>		
(SLMD) Madeira	(SLPB) Pebble	(SLSD) Saddle
(SLWG) Winchester Grey	(SLWB) Woodland Brown	
<b>Trex Enhance</b>		
(ENBD) Beach Dune	(ENCS) Clamshell	

FastenMaster has a color match for all leading deck board brands.  
Visit [FastenMaster.com](http://FastenMaster.com) for a complete color match guide.

**FASTMASTER, 153 BOWLES ROAD, AGAWAM, MA 01001**  
**800-518-3569** [WWW.FASTMASTER.COM](http://WWW.FASTMASTER.COM)

TORX<sup>®</sup> is a registered trademark of Acument Intellectual Properties, LLC. ttap<sup>®</sup> is a registered trademark of Infast AS Limited. FastenMaster<sup>®</sup>, TrapEase<sup>®</sup> 3 and Spotter<sup>™</sup> are trademarks of OMG Inc. Copyright © 2015 OMG, Inc. FastenMaster Spotter and TrapEase 3 are patent pending. All rights reserved.