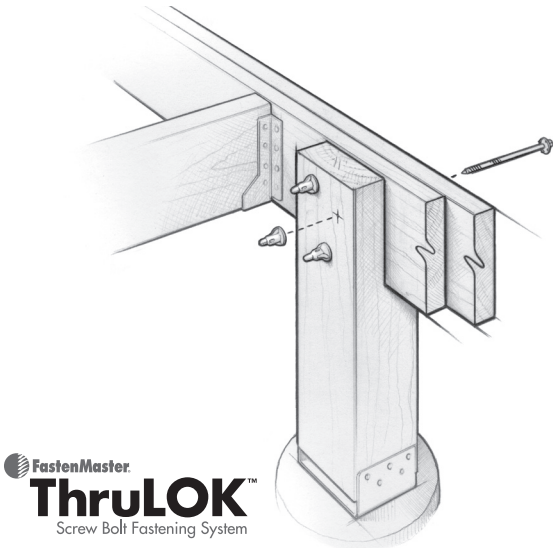
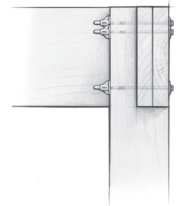


CARRYING BEAM TO NOTCHED SUPPORT POST



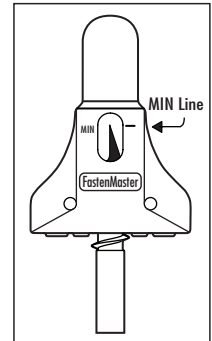
CONNECTION DETAILS

A commonly accepted, code-compliant method of deck construction allows for carrying beams and notched 6x6 support posts to be bolted together. According to the International Residential Code (IRC R502.9), "where posts and beam or girders construction is used to support floor framing, positive connections shall be provided to ensure against uplift and lateral displacement." When installed as shown in this bulletin, the 7" FastenMaster ThruLOK restrains against both of these forces equal to traditionally bolted connections with a faster and easier method of installation.

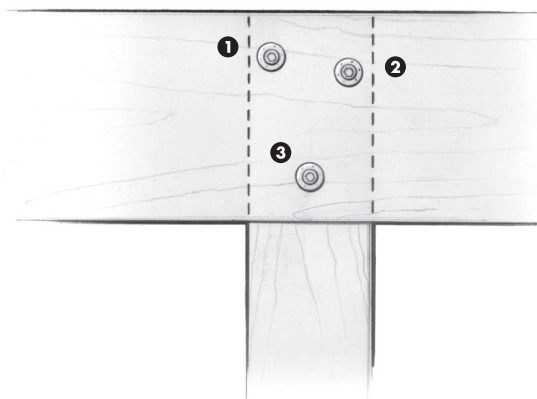


INSTALLATION INSTRUCTIONS

1. Choose the correct fastening pattern based on one of the three conditions listed on this bulletin.
2. Separate the 7" ThruLOK screw and washer from the nut.
3. Using a 1/2" drill on low speed/high torque setting, install the ThruLOK screw and washer into the outside face of the application until the screw is 1/4" to 1/8" from being flush.
4. Install the ThruLOK nut onto the exposed threaded end of the fastener. Firmly twist on the nut by hand until snug.
5. Return to driving the screw in the remaining 1/4" to 1/8" until the washer and nut are firmly drawn together.
6. Make sure that the point of the ThruLOK fastener has passed the "MIN LINE" printed on the nut. Drive the screw in the remaining 1/4" to 1/8" until the washer and nut are firmly drawn together.
7. Repeat until all of the fasteners are installed correctly according to the specifications contained in this bulletin.



CONDITION 1 – CONTINUOUS BEAM REPLACING 2 BOLTS OF 1/2" DIAMETER



1. Install first screw 1" in from the edge of the post and 2" (+/- 1/4") from the top of the beam
2. Install second screw 1" in from the other edge of the post and 3" (+/- 1/4") from the top of the beam
3. Install third screw in the center of the post and 2" (+/- 1/4") from the bottom of the beam



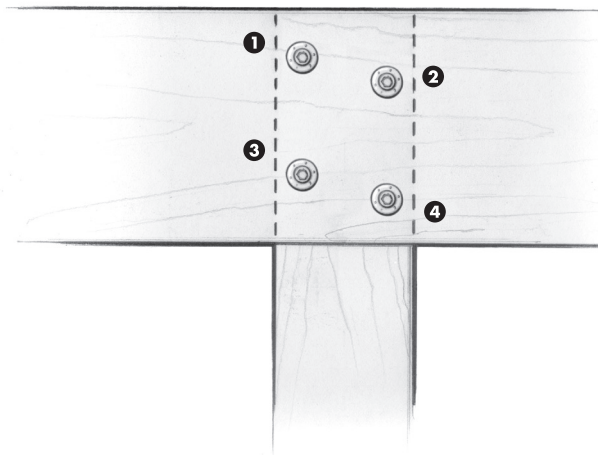
Effective until December 31, 2013. Updated information must be obtained after this date.

153 BOWLES ROAD, AGAWAM, MA 01001

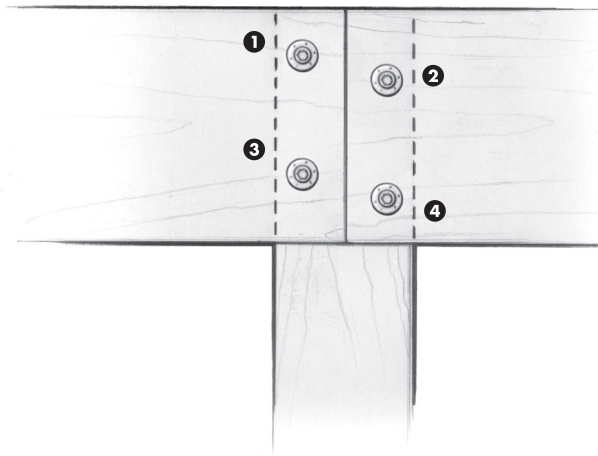
413-789-0252

800-518-3569

WWW.FASTENMASTER.COM

CONDITION 2 – CONTINUOUS BEAM REPLACING 2 BOLTS OF 5/8" DIAMETER

1. Install first screw 1" in from the edge of the post and 2" (+/- 1/4") from the top of the beam
2. Install second screw 1" in from the other edge of the post and 3" (+/- 1/4") from the top of the beam
3. Install third screw 1" in from the edge of the post and 3" (+/- 1/4") from the bottom of the beam
4. Install fourth screw 1" in from the other edge of the post and 2" (+/- 1/4") from the bottom of the beam

CONDITION 3 – SPLICED BEAMS REPLACING 1/2" OR 5/8" BOLTS ON BUTTED BEAMS

1. Install first screw 1" in from the edge of the post and 2" (+/- 1/4") from the top of the beam
2. Install second screw 1" in from the other edge of the post and 3" (+/- 1/4") from the top of the beam
3. Install third screw 1" in from the edge of the post and 3" (+/- 1/4") from the bottom of the beam
4. Install fourth screw 1" in from the other edge of the post and 2" (+/- 1/4") from the bottom of the beam

GENERAL FASTENING GUIDELINES

Third party testing in accordance with ASTM D1761 and ICC Acceptance Criteria AC233 was conducted to determine the proper placement and number and fasteners to meet code.

ThruLOK is coated with mechanically applied zinc in accordance with ASTM B695, Class 55. This is compliant with the 2006 International Residential Code® (R319.3) and 2009 IRC (R317.1.3) for use in ACQ pressure treated wood.

The connection details shown in this bulletin apply specifically to 6x6 or 6x8 support posts notched 3" (+/- 1/4") to receive double 2x8, 2x10 or 2x12 beams.

Beams and column dimensions should always be checked against local code requirements and designed to support the appropriate deck loads.

As with other bolted connections using wet treated wood, the nut should be inspected and tightened if needed after initial drying period.

Under the following conditions, please consult a design professional:

1. When using wood species with densities lower than Hem Fir. (The wood densities of Southern Pine, Douglas-Fir and Douglas-Fir/Larch are higher than Hem Fir, and therefore acceptable.)
2. Where the combined live and dead loads or wind uplift design values exceed 100 psf.

For questions regarding these or other connections, please contact FastenMaster Technical Support at www.fastenmaster.com or by calling 800-518-3569.