

Front
of Deck

DESIGNER NOTES

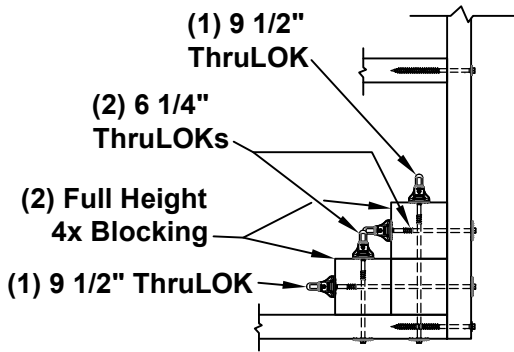
When installed as shown, this blocked connection meets the code required 200 pound outward and downward loads for 36" high guard systems. Where LedgerLOKs are used into end grain, a 3/16" pilot hole is required.

COMPLIANT TO CODES

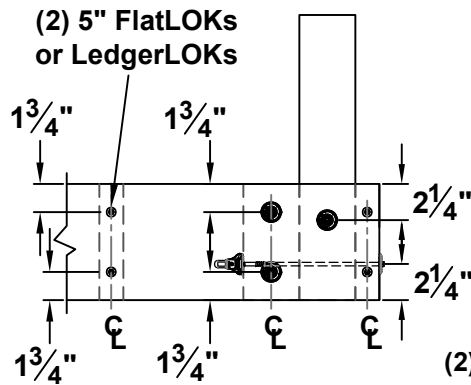
IRC, IBC, LABC, LARC, FBC, FRC

SUPPORTING TECHNICAL REPORTS

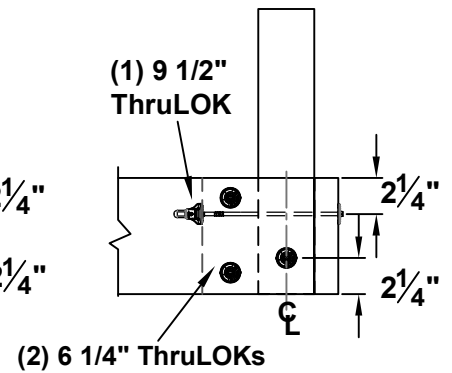
ICC-ES Evaluation Report ESR-1078
(<https://icc-es.org/report-listing/esr-1078/>)



Top View



Front View



Side View

DECK RAIL POST - INSIDE CORNER

DETAIL #
FM - THLK04

REV. DATE
10/28/2021

FastenMaster Framing Details

