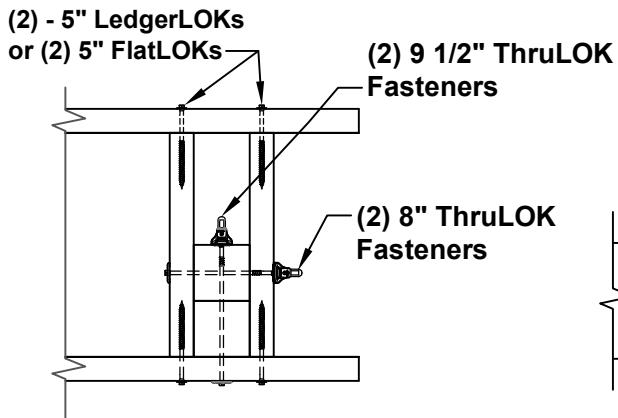


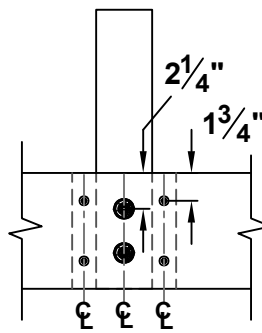
DESIGNER NOTES
When installed as shown, this blocked connection meets the code required 200 pound outward and downward loads for 36" high guard systems. Where LedgerLOKs are used into end grain, a 3/16" pilot hole is required.

COMPLIANT TO CODES
IRC, IBC, LABC, LARC, FBC, FRC

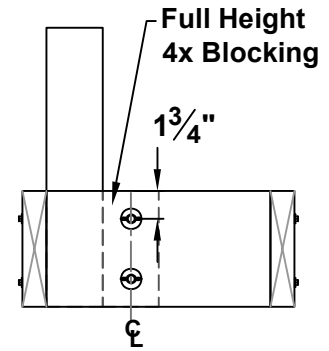
SUPPORTING TECHNICAL REPORTS
ICC-ES Evaluation Report ESR-1078 ( <a href="https://icc-es.org/report-listing/esr-1078/">https://icc-es.org/report-listing/esr-1078/</a> )



**Top View**



**Front View**



**Side View**

## **DECK RAIL POST - INSIDE - SIDE RIM**

DETAIL #  
**FM - THLK03**

REV. DATE  
10/ 28/2021

FastenMaster Framing Details

