

DESIGNER NOTES

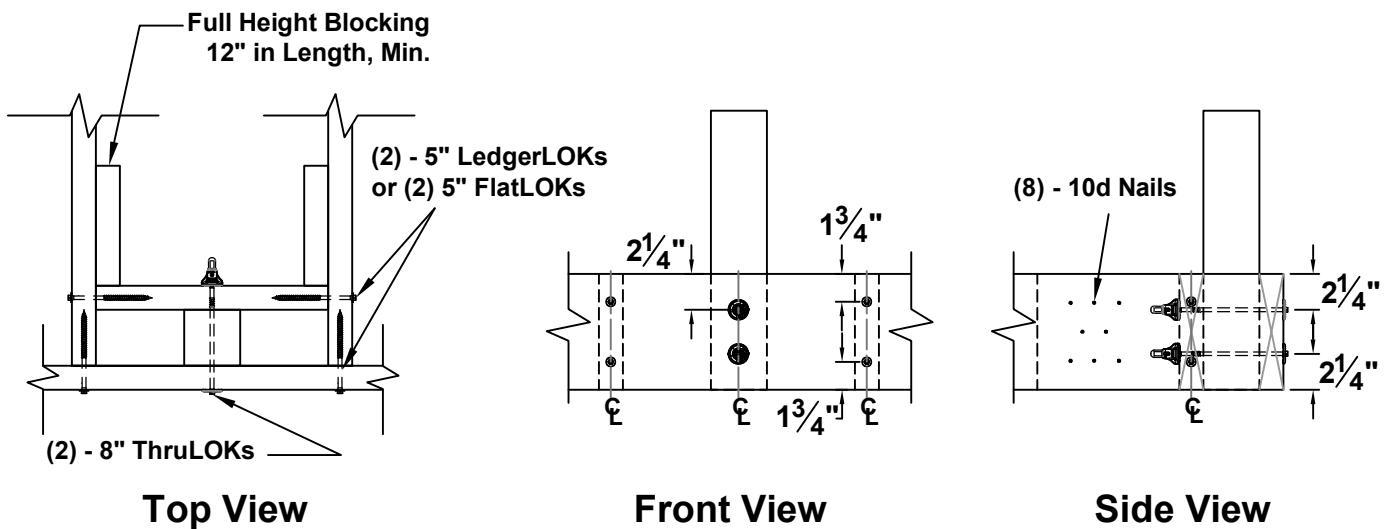
When installed as shown, this blocked connection meets the code required 200 pound outward and downward loads for 36" high guard systems. Where LedgerLOKs are used into end grain, a 3/16" pilot hole is required.

COMPLIANT TO CODES

IRC, IBC, LABC, LARC, FBC, FRC

SUPPORTING TECHNICAL REPORTS

ICC-ES Evaluation Report ESR-1078
<https://icc-es.org/report-listing/esr-1078/>



DECK RAIL POST - INSIDE FRONT RIM

DETAIL #
FM - THLK02

REV. DATE
10/ 28/2021

FastenMaster Framing Details

