

Isometric View

DESIGNER NOTES

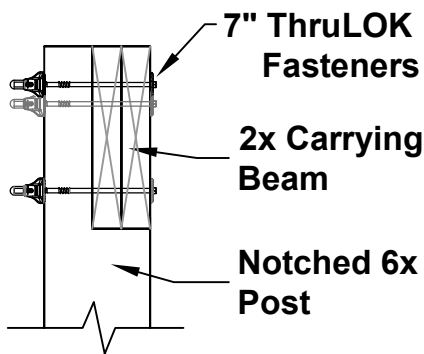
All connections made using 7" ThruLOK Fasteners with 2x8 or greater beam into notched 6x6 or greater post. When installed as shown, equivalent performance to two 1/2" through bolts in resisting vertical and lateral displacement. Where two 5/8" bolts are being replaced, use of 4 ThruLOKs required to gain equivalency

COMPLIANT TO CODES

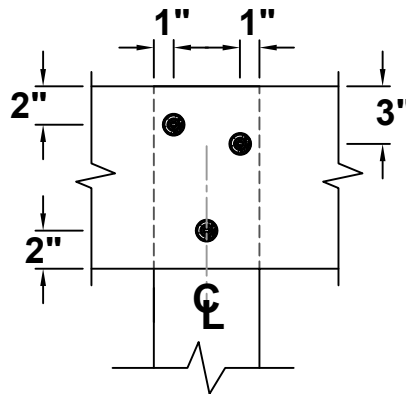
IRC, IBC, LABC, LARC, FBC, FRC

SUPPORTING TECHNICAL REPORTS

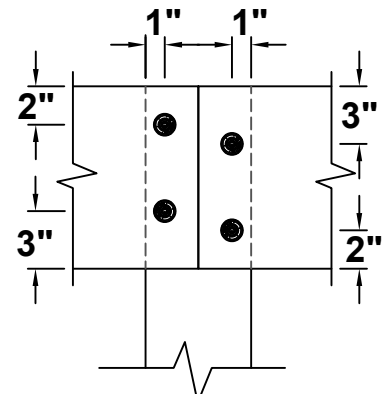
ICC-ES Evaluation Report ESR-1078
[\(https://icc-es.org/report-listing/esr-1078/\)](https://icc-es.org/report-listing/esr-1078/)



Side View



Front View
Continuous Beam



Front View
Spliced Beams

DECK BEAM TO NOTCHED SUPPORT POST

DETAIL #
FM - THLK01

REV. DATE
10/28/2021

FastenMaster Framing Details

