



ICON™ ScrewJoist

Changing the Way Decks are Built

ICON combines the strength of steel with the workability of wood to create the ultimate deck structure.

- **Speed of Installation**
Projects are often reduced by 1-2 days
- **Lightweight**
Half the weight of standard PT joists
- **Flatter Surface**
Deck surface is flat for easier installation and a better final product
- **No Joist Hangers and Ties**
No additional hardware is needed to attach the screwjoists
- **Wider Joists**
Nearly double the surface area makes the structure safer during construction
- **Code-Compliant**
Fully tested and engineered to meet load requirements



FM23177 (0523)

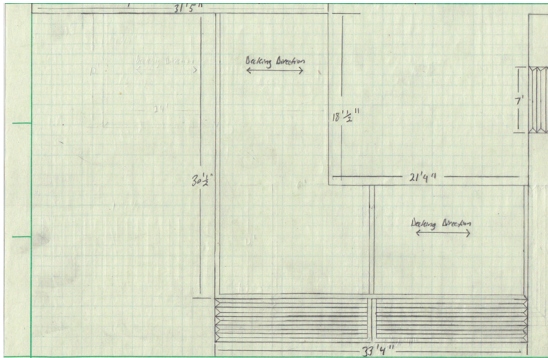


ICON™

ScrewJoist

Building your FastenMaster ICON ScrewJoist Deck Substructure

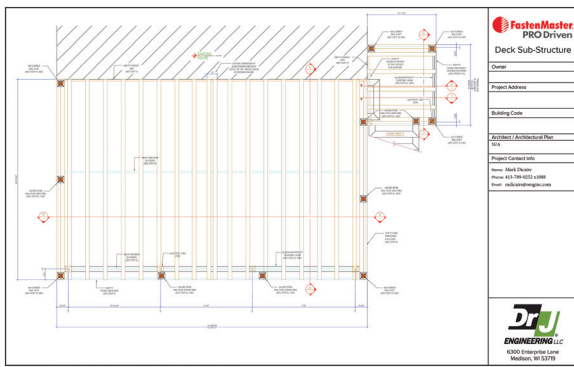
- 1** Submit your deck plan to your FastenMaster ICON Field Sales Rep.



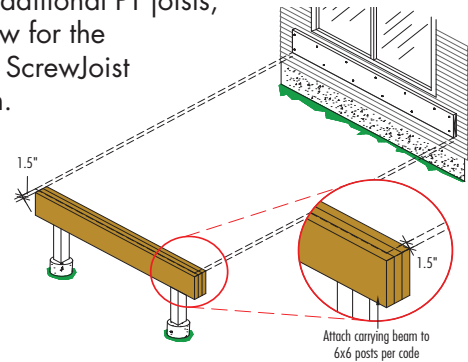
- 4** Your ICON ScrewJoist substructure will be delivered to your jobsite.



- 2** FastenMaster ICON Tech team will create a code-compliant engineered drawing.



- 5** Set your ledger and carrying beam correctly for an ICON system. The ledger and carrying beam must be set 1 1/2" lower than traditional PT joists, to allow for the ICON ScrewJoist design.



- 3** Once you approve the drawing, FastenMaster will manufacture the specific ScrewJoist quantities and lengths required.



Now you are ready to set your ICON ScrewJoists!



ICON Joists are available with or without a Waterproof Sealed top and come in standard lengths of 4', 8', 12', and 16'. Made-to-order lengths from 4'1", to 15'11" are also available.

A code-compliant Product Listing Report (ICB CL-2301-01), complete with design strengths, engineering values, maximum spans and other performance characteristics of the ICON ScrewJoists system can be found at FastenMaster.com

