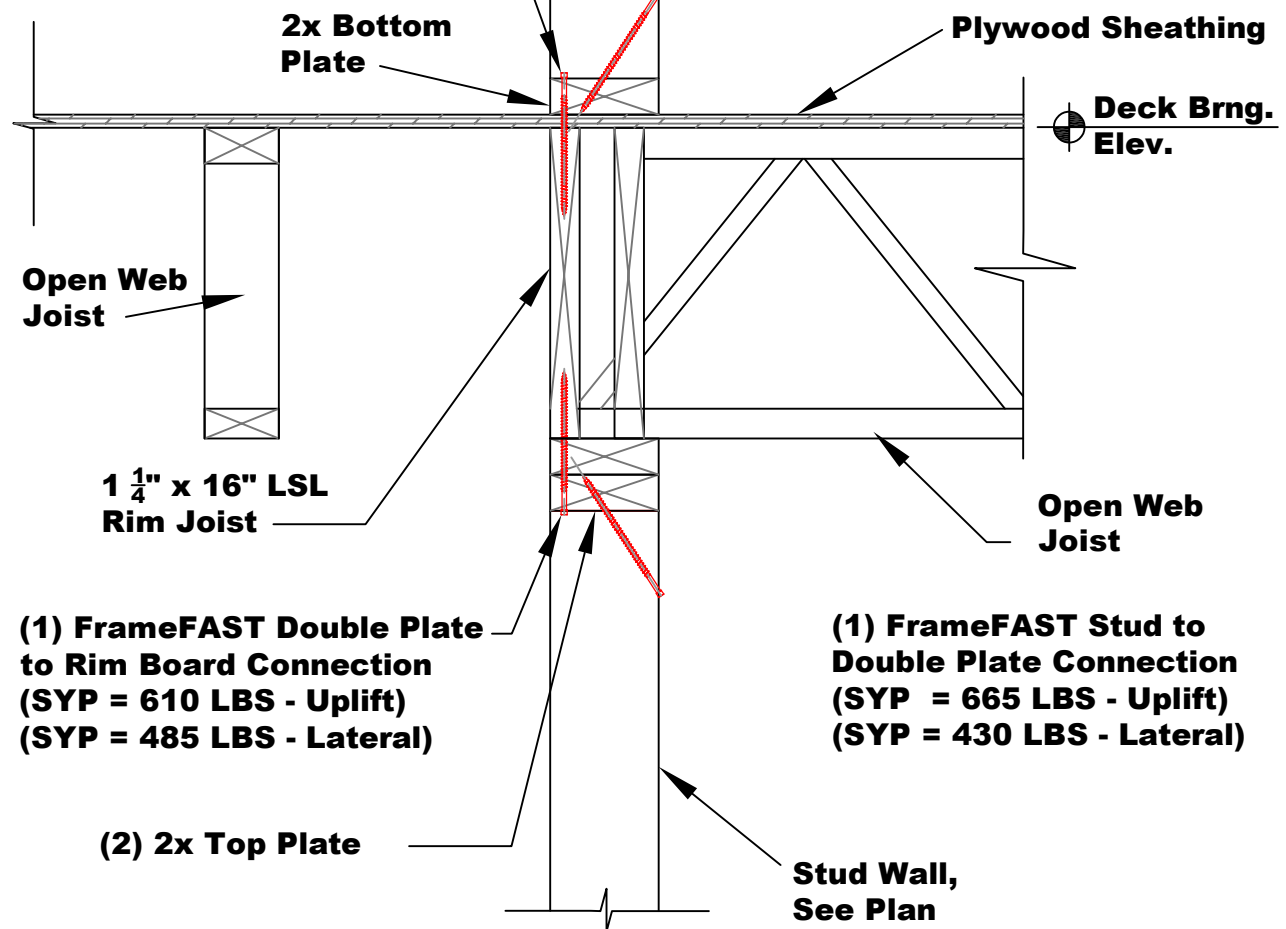


(1) FrameFAST Double Plate to Rim Board Connection
(SYP = 165 LBS - Uplift)
(SYP = 210 LBS - Lateral)

(1) FrameFAST Stud to Single Plate Connection
(SYP = 665 LBS - Uplift)
(SYP = 430 LBS - Lateral)



FrameFAST Stud to Plate and Plate to Rim - SYP Lumber with LSL RIM

<p>DETAIL # FM - FF Stud to Plate & Plate to Rim - SYP. / LSL Rim</p>	<p>REV. DATE 04/13/2023</p>	<p style="text-align: center;">FastenMaster Framing Details</p>	
---	---	--	---