

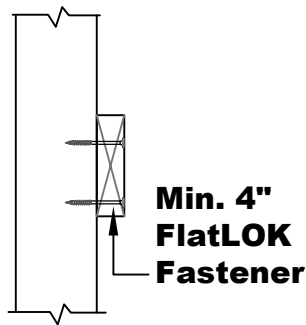
LEDGER SIZE	FASTENERS PER STUD	ALLOWABLE LOAD PER STUD CONNECTION BY SPECIES		
		SPF	D.FIR	S.PINE
2 X 6	2	360	510	795
2 X 8	2	580	735	900
2 X 10	3	805	860	1075

MINIMUM SPACING REQUIREMENTS	
TOP OF LEDGER	1-1/2"
BOTTOM OF LEDGER	3/4"
END OF LEDGER	6"
TOP OF STUD	4"
BOTTOM OF STUD	6-3/4"
BOTTOM OF STUD	5/8"
BETWEEN VERTICAL FASTENERS	3-1/4"

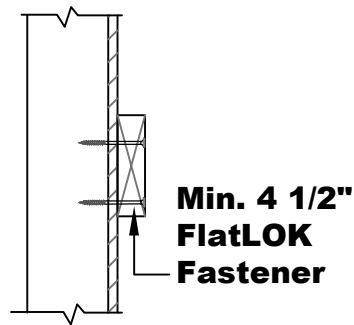
DESIGNER NOTES
 Table values apply where the ledger is applied directly over studs or with up to two layers of 5/8" gypsum. Minimum penetration of 2-1/4" into stud. Where different species being connected, use the value corresponding to the lowest density wood.

COMPLIANT TO CODES
 IRC, IBC, LABC, LARC, FBC, FRC

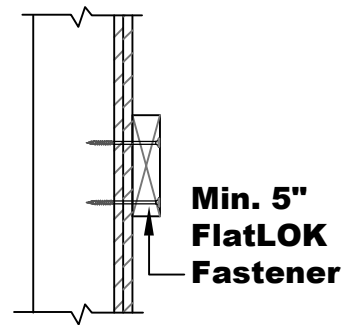
SUPPORTING TECHNICAL REPORTS
 IAMPO Evaluation Report ER-718
 (<https://www.iapmoes.org/building-products-evaluation-report-program/evaluation-report-directory/>)
 DRJ Technical Evaluation Reports TER 1611-01
 (<https://www.drjcertification.org/company/fastenmaster/>)



No GWB



**One Layer
5/8" GWB**



**Two Layer
5/8" GWB**

INTERIOR LEDGER ATTACHED TO STUDS

**DETAIL #
FM - FL4**

**REV. DATE
04/13/2023**

FastenMaster Framing Details

